

EUROBOILERS

GARIONI AVAL
INDUSTRIAL AND MARINE HEATING SYSTEMS

STEIN ENERGIE

STEAM BOILERS AND THERMAL OIL HEATERS

COMBI

COMBINED FIRE AND EXHAUST GAS BOILER
CALDAIA A TUBI DA FUMO CON BANCO A RECUPERO

APPROVED BY MOST OF LAND AND MARINE
CLASSIFICATION SOCIETIES AS PER PED OR ALL MAJOR STANDARD

Fire tube vertical boilers, composed by a flame and a recovery side to be installed on the exhaust gas plant. When the exhaust gas side is not enough, the flame side automatically turns on in order to integrate the lacking steam. Realized in vertical version, takes up small space and are mainly studied for marine applications.

Caldale verticali a tubi da fumo, combinate con una parte a fiamma ed una parte a recupero del gas di scarico. Quando la produzione tramite gas di scarico non è sufficiente, automaticamente si accende la parte a fiamma per integrare il vapore mancante. Di ingombri contenuti e realizzate in versione verticale, sono state studiate principalmente per applicazione navale.



UPON REQUEST
GN MONITORING
AND MICROMODULATION SYSTEM



combined boilers
caldaie combinate



www.garioninaval.com



STEAM BOILERS AND THERMAL OIL HEATERS COMBI

EUROBOILERS

GARIONI NAVAL
INDUSTRIAL AND MARINE HEATING SYSTEMS

GARIONI NAVAL S.p.A.

V.le dei Caduti 3
25030 CASTELMELLA (Bs) - Italy
Phone +39 030 2681541
Fax +39 030 2680910
garioninaval@garioninaval.com

COMBINED FIRE AND EXHAUST GAS BOILER

TUBI DA FUMO CON BANCO A RECUPERO



APPROVED BY MOST OF LAND AND MARINE
CLASSIFICATION SOCIETIES
AS PER PED OR ALL MAJOR STANDARD

Description

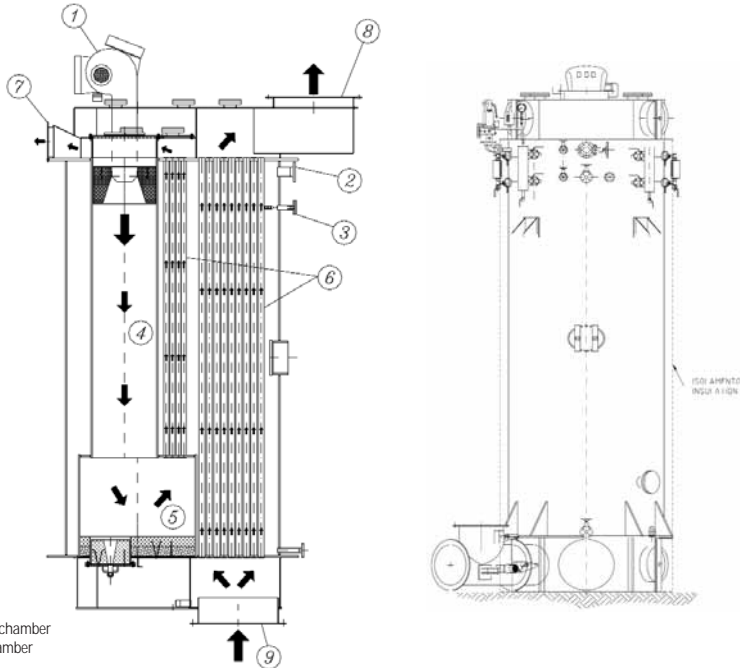
COMBI is a high quality composite boiler design offering the space-saving alternative of two boilers combined into one. COMBI is a combined oil and exhaust gas-fired boiler with a capacity range of up to 7t/h steam from the oil-fired section and up to 4t/h from the exhaust gas section. It is a standardised, preassembled boiler plant is a fast and easy to install.

Easy installation

Installation is a matter of connecting up with premounted fittings and connections situated on the boiler top. Inlet and outlet boxes are included and the boiler foundation is prepared for welding to the deck.

Easy inspection and maintenance

Combi has adequate space for inspection and maintenance in the steam/water space. The boiler can easily be water washed or mechanically cleaned. The smoke tubes are easy to clean.



- 1 Burner
- 2 Steam outlet
- 3 Water inlet
- 4 Combustion chamber
- 5 Inversion chamber
- 6 Smoke tubes
- 7 Chimney connection (burner)
- 8 Chimney connection (exhaust gas)
- 9 Exhaust gas inlet