

Technical Specification:

The H4000 Strainer, designed with a low headloss for use with all Helix type meter. The heavy duty stainless steel sieve element prevents any large particles present in the supply pipeline from damaging the measuring mechanism.

The special wave design provides the largest possible area of filter element, which when assembled in its body and connected upstream of Helix meter not only acts as a Strainer, but also as that of a flow straightening device, reducing turbulence which can seriously affect the accuracy of Helical Vane type meters.

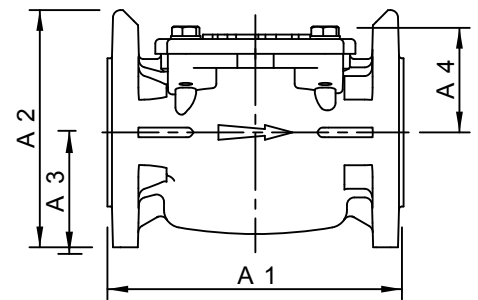
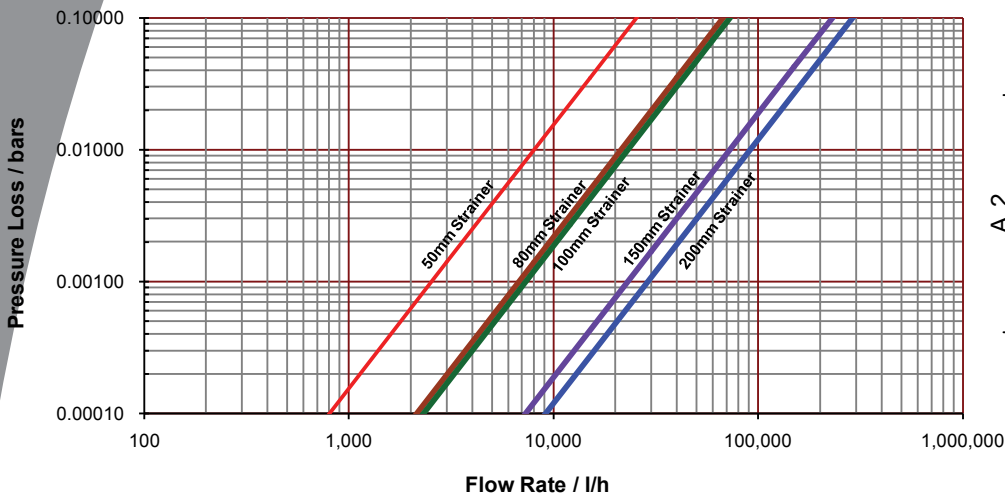
The sieve element can be removed without disturbing the flange joints in the main for cleaning or replacement with a spare element.

Maximum working pressure 16 Bar
Maximum water temperature 50°C

Materials

All GKM H4000 Strainers body and cover are manufactured from Ductile Cast Iron and epoxy powder coated finishing. The body Bolts and Washers are of Stainless Steel.

Size mm	A1 mm	A2 mm	A3 mm	A4 mm	Width mm	Spare Strainer Element Part No.
50	200	162	78	72	166	6050H4STF
80	200	196	94	83	201	6080H4STF
100	250	221	106	83	228	6080H4STF
150	300	280	135	126	286	6150H4STF
200	350	335	165	145	341	6200H4STF



George Kent (Malaysia) Berhad (1945-X)

George Kent Technology Center
1115 Jalan Puchong, Taman Meranti Jaya,
47120 Puchong, Selangor, Malaysia.
Tel : +603-8064 8000
Fax : +603-8061 9926
www.georgekent.net



Continuous improvement is one of our company policy. George Kent (Malaysia) Berhad reserved the right to modify the specifications without prior notice.