

Technical Specification:

Specification

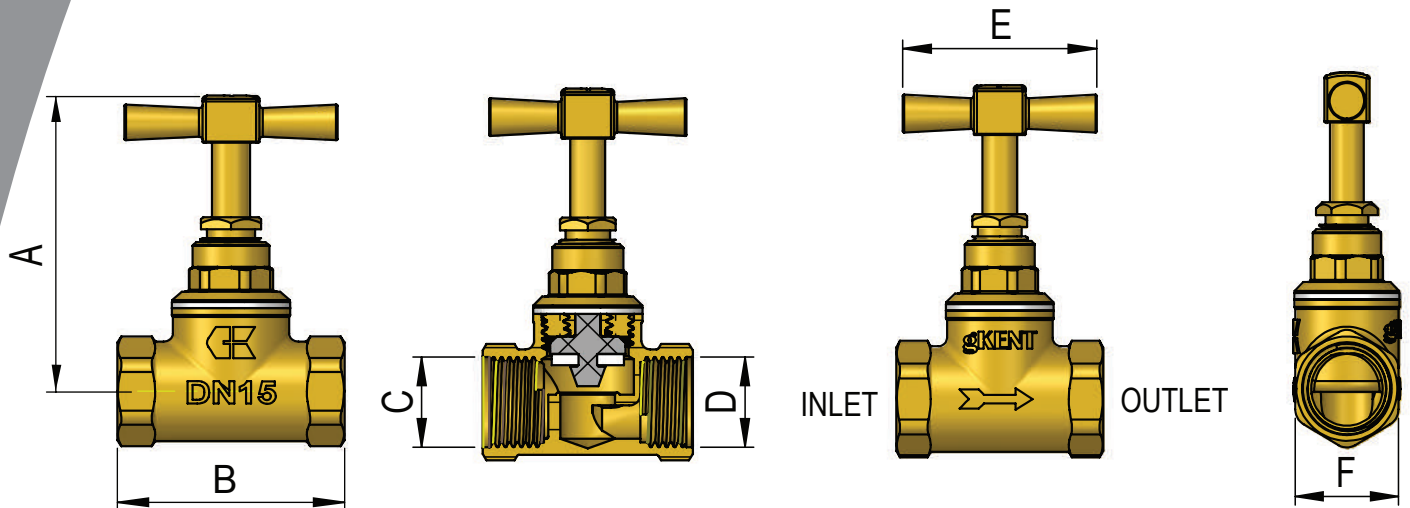
Specification	DN15 (1/2 inch)	DN20 (3/4 inch)	DN25 (1 inch)
Nominal Pressure	PN16		
Working Temperature, °C	≤ 50		
Application Medium	Potable Water		

Dimension

Dimension	DN15 (1/2 inch)	DN20 (3/4 inch)	DN25 (1 inch)
A	Open = 72.5	Open = 89	Open = 92
	Close = 66	Close = 79.5	Close = 80
B	48	58.5	67.2
C	G 1/2	G 3/4	G 1
D	G 1/2	G 3/4	G 1
E	45	56	56
F	24.5	30	38.3

Flow Rate

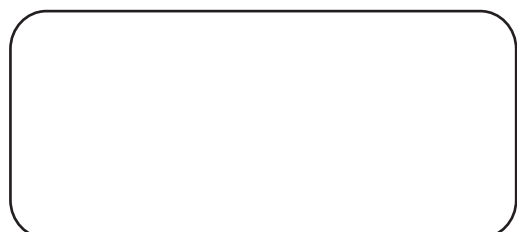
Flow Rate	DN15 (1/2 inch)	DN20 (3/4 inch)	DN25 (1 inch)
Minimum at 0.1 bar (l/hour)	720	1440	2520



* All dimensions are in "mm" unless otherwise stated



George Kent (Malaysia) Berhad (1945-X)
 George Kent Technology Center
 1115 Jalan Puchong, Taman Meranti Jaya,
 47120 Puchong, Selangor, Malaysia.
 Tel : +603-8064 8000
 Fax : +603-8061 9926
 www.georgekent.net



Continuous improvement is one of our company policy. George Kent (Malaysia) Berhad reserved the right to modify the specifications without prior notice.