



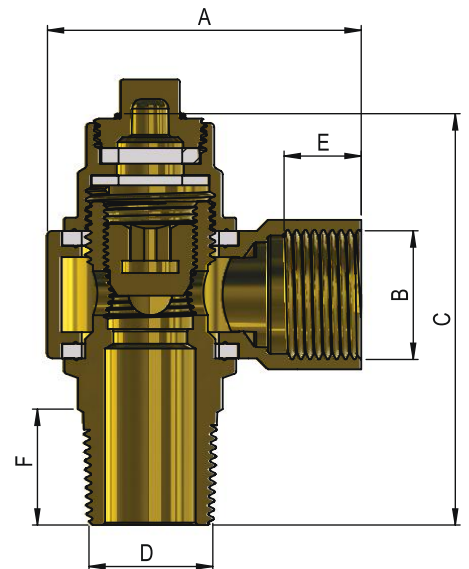
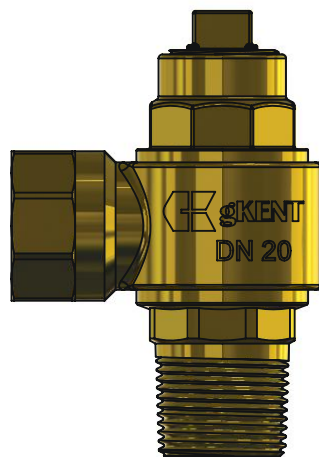
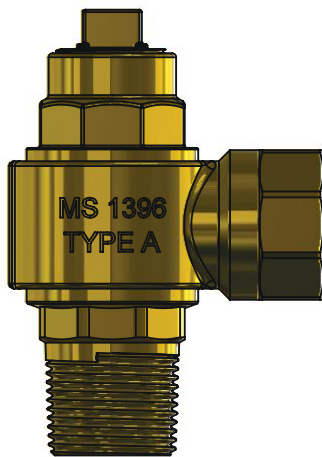
# Technical Specification:

## Specification

Specification	DN20 (¾ inch)	DN25 (1 inch)
Nominal Pressure	PN16	
Working Temperature, °C	≤ 50	
Application Medium	Potable Water	
Material	C 3771	

## Dimension

A	63min	74min
B	G ¾	G 1
C	82min	90min
D	R ¾	R 1
E	15min	15min
F	21min	23min



\* All dimensions are in "mm" unless otherwise stated



### George Kent (Malaysia) Berhad (1945-X)

George Kent Technology Center  
 1115 Jalan Puchong, Taman Meranti Jaya,  
 47120 Puchong, Selangor, Malaysia.  
 Tel : +603-8064 8000  
 Fax : +603-8061 9926  
[www.georgekent.net](http://www.georgekent.net)



Continuous improvement is one of our company policy. George Kent (Malaysia) Berhad reserved the right to modify the specifications without prior notice.